



## 规格书 Specification

品类/Term: SW19 自锁系列-四芯包胶式连接器

*SW19 Self-locking series-4 Pin connector*

型号/Model: 1.四芯公头(4 pin male plug): SW19-4JST

2.四芯母头(4 pin female plug): SW19-4KST

3.四芯公座(4 pin male socket): SW19-4JSZ

承认签章/Admit signature					
供应商确认/supplier			客户公司承认/customer		
工程师 engineer	审核 audit	批准 approval	工程师 engineer	审核 audit	批准 approval
LXQ	WXW	CJY			
盖章签署 signature			盖章签署 signature		
日期/date			日期/date		

## 产品概述/Product overview:

M19 系列是一款工业连接器，该连接器包含公头，母头以及公座三个部分。共有两种锁定方式：1. 推拉自锁连接 2. 塑胶螺牙连接，两种锁定设计都十分可靠。内芯的选材使用镀金插针，有利于电流稳定通过。多种芯数可以选择，使其应用领域更加广泛。线缆外皮则采用包胶模具进行二次成型。所有用料符合环保 RoHS 标准，并通过了 CE, UL, FCC 等多国认证。公座标配防水胶圈，该连接器的防水等级可达 IP67。

M19 series is an industrial connector, which includes male plug, female plug and male socket. There are two locking methods: 1. Push-pull self-locking connection 2. Plastic screw connection, both locking design is very reliable. The material selection of the inner core uses gold-plated pin, which is conducive to the stable passage of the current. A variety of cores can be selected, making its application field more extensive. The cable skin is molded by a plastic wrap mold. All materials comply with environmental RoHS standards, and passed CE, UL, FCC and other multinational certification. Male coordinate with waterproof apron, the waterproof grade of the connector up to IP67.

## 一、产品外观 (Product Appearance)

### 1. 四芯公头 (4 pin male plug): SW19-4JST



2. 四芯母头 (4 pin female plug): SW19-4KST



3. 四芯公座 (4 pin male socket): SW19-4JSZ



#### 4.防水胶圈 *waterproof gasket*:



## 二、产品特性 (Product features)

☑快速简单的自锁定系统 (Quick, simple self locking system)

☑连接可靠 (Connect reliably)

☑产品体积小 (Small size of product)

☑多种芯数可选 2,3,4,5,6,9,3+9 芯支持多种应用场景

(Multiple cores –2,3,4,5,6,9,3+9 pin support multiple application scenarios)

☑防护等级 IP67 (waterproof rating IP67)

### 三、技术参数 (Technical parameters)

#### 1.电气参数 (Electrical parameters)

触点数量 (Contacts NO.)	4 pin
额定电流 (Rated current)	30A
额定电压 (Rated voltage)	250V AC
耐电压 (Withstand voltage)	3000V
绝缘电阻 (Insulation resistance)	$\geq 500\text{m}\Omega$
接触电阻 (Contact resistance)	$\leq 5\text{m}\Omega$

#### 2.机械参数 (Mechanical parameters)

使用寿命 (Service life)	> 1000 times
电源线径 (Power line)	$\Phi 4.5\text{mm}-\Phi 11\text{mm}$
线号 (Cable size)	$0.3\text{mm}^2-2.5\text{mm}^2(22\text{AWG}-12\text{AWG})$
端子接线方式 (Type of terminals)	螺旋式或者焊接式/Screw terminal and soldering terminal available

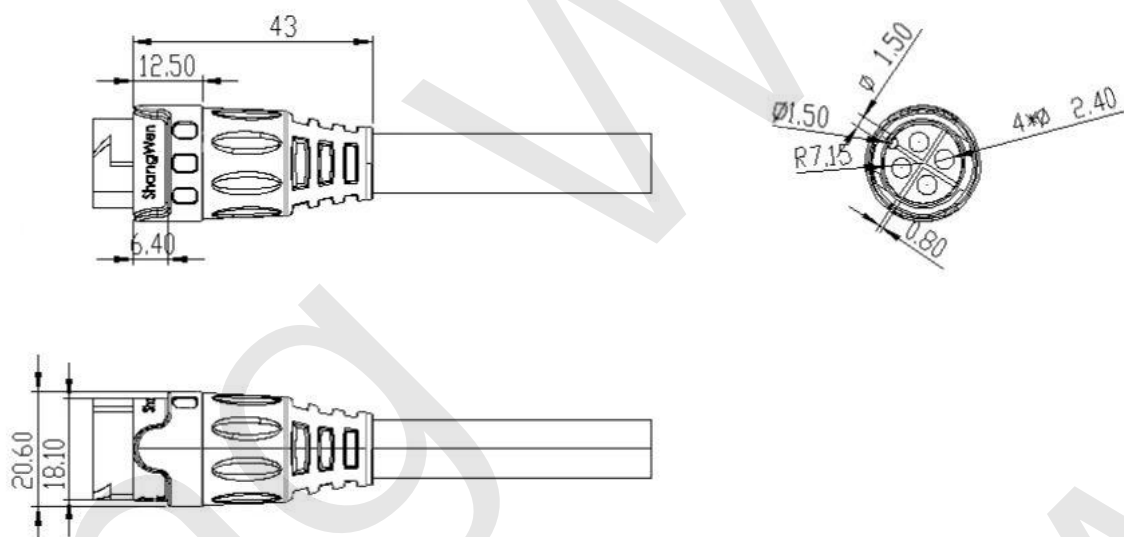
#### 3.材料和环境 (Material and environmental parameters)

外壳 (Shell)	高性能工程塑料/High performance engineering plastics
触点 (Contacts)	铜合金/Copper alloy
触点直径 (Contact diameter)	$\Phi 2.4\text{mm}$
防护等级 (Protection degree)	IP67
阻燃等级 (Flame-retardant grade)	UL94-V0
使用温度范围 (Temperature range)	$-40^{\circ}\text{C}\sim 105^{\circ}\text{C}$

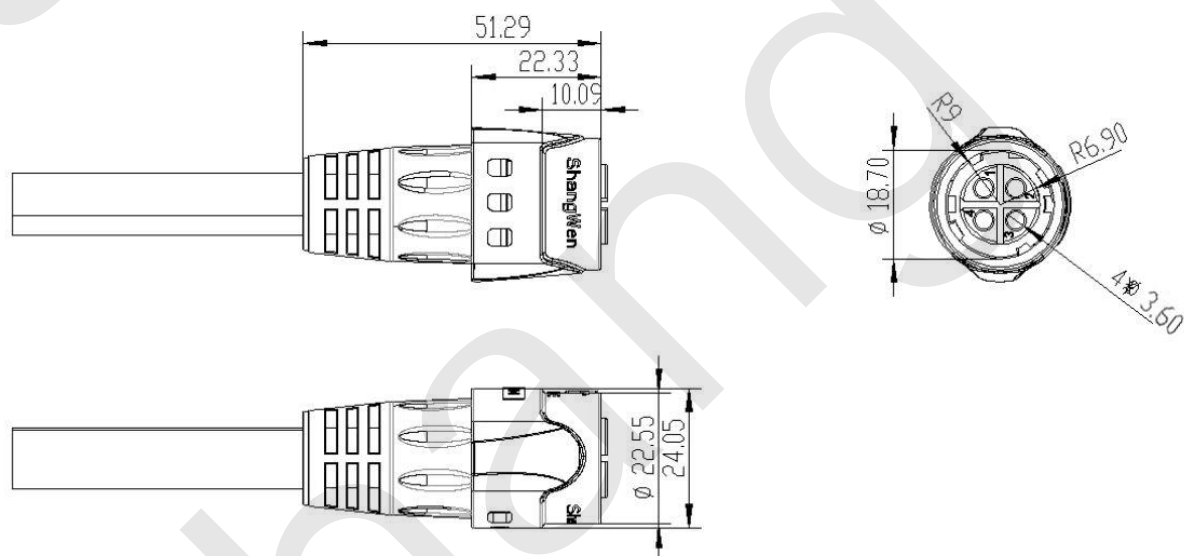
#### 四、产品外形尺寸 (Product Profile)

单位/unit:mm 公差/The tolerance:  $\pm 1$ mm

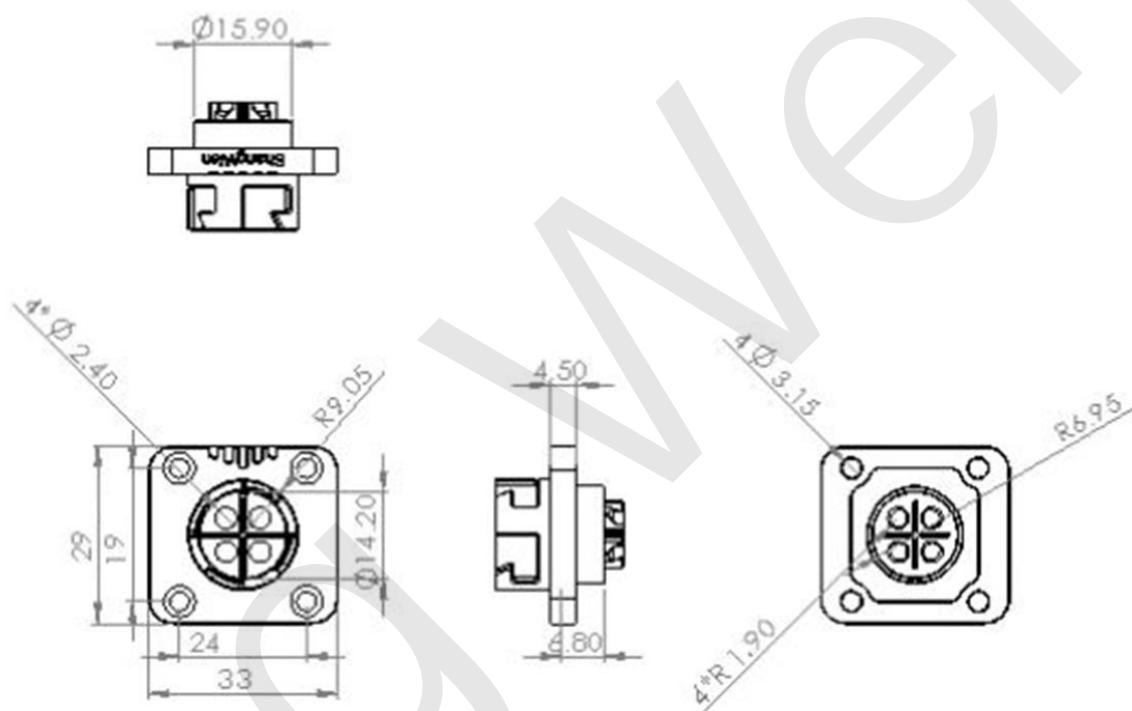
##### 1. 四芯公头 (4 pin male plug): SW19-4JST



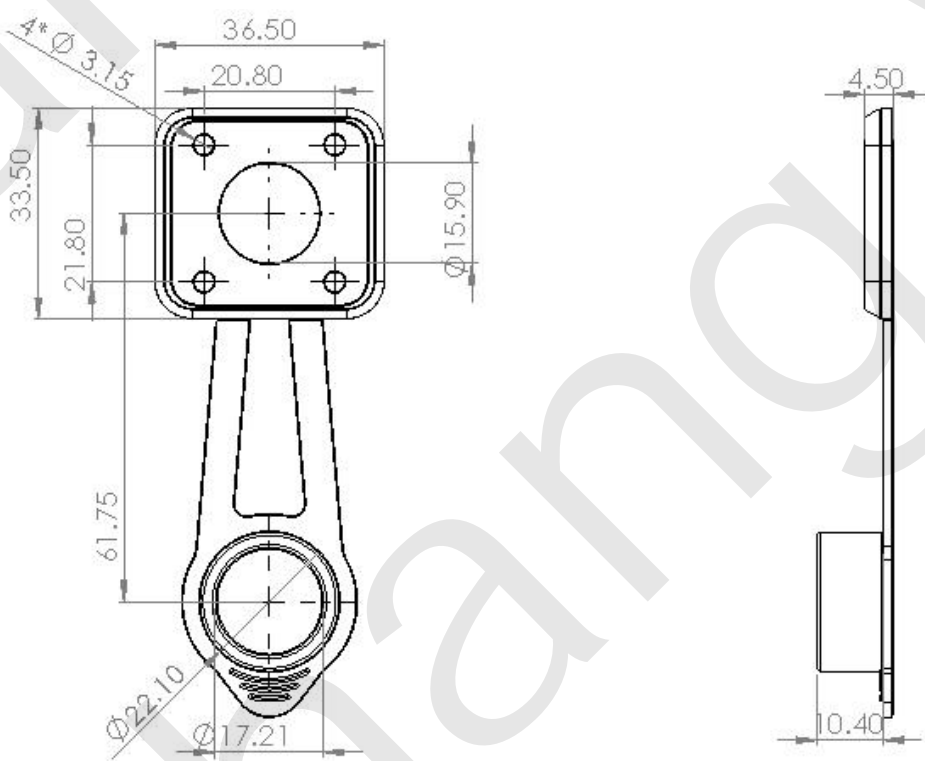
##### 2. 四芯母头 (4 pin female plug): SW19-4KST



3.四芯公座(4 pin male socket): SW19-4JSZ



4.防水胶圈 waterproof gasket:



## 五、操作参考 (Operating reference)





